

### Bollards

The cast steel bollards, with anticorrosive treatment, are the best option for any type of dock.

They are made with nominal resistance capabilities from 5 tons to 250 tons.

We provide various designs and sizes of single bollard and/or dual head bollard mooring.



## FEATURES

### Material

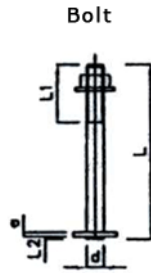
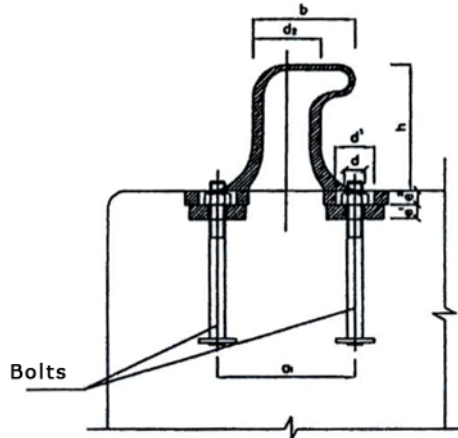
- Structure: Even, fine-grained and homogeneous cast steel, without any pores nor cracks, or defects due to impurities. The tensile strength is higher than 52 kg/mm<sup>2</sup> and its yield strength higher than 25 kg/mm<sup>2</sup>.
- Material: GS-52 Steel .
- Anchor Bolts: A307 Steel .

### Anticorrosive treatment

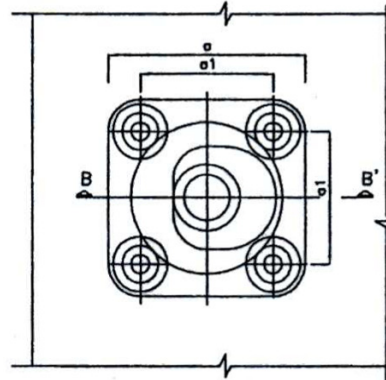
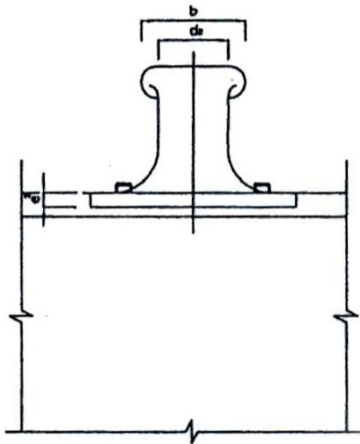
The bollards are processed with the following anti-corrosion treatment:

- Preparation of Base Material: SA 2.5 SIS (PSC SP10) Sand blasting.
- Primer: Rich in Zinc, 75 microns, Colour black.

## Bollards



Bollard type B2 of 50TN nominal strength, with its steel anchor accessories.



Bollard									
Strength Capabilities (Tn)	Dimensions (mm)								
	a	a1	d	d1	d2	e1	e2	h	b
5	470	270	35	82	170	35	35	290	250
10	500	330	40	90	190	40	40	330	280
15	500	330	42	92	200	40	40	350	300
30	600	400	66	130	230	45	45	410	350
50	730	500	75	140	260	50	50	470	400
75	860	580	80	160	290	60	60	530	450
100	940	640	91	180	320	65	65	590	500
125	1,000	700	101	190	350	70	70	650	550
150	1,000	700	101	190	380	75	75	710	600
175	1,150	800	112	210	410	80	80	760	650
200	1,230	850	112	210	410	85	85	800	700
225	1,300	900	122	225	470	90	90	870	750
250	1,400	975	122	225	500	100	100	930	800