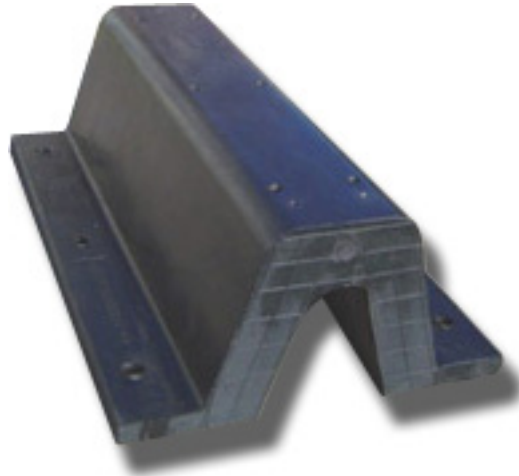


DGH Fenders

The DGH fenders are a new generation of fenders in V, replacing and improving the characteristics of the previous models.

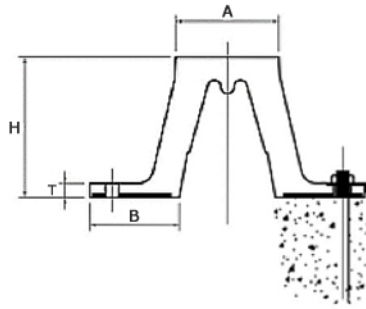
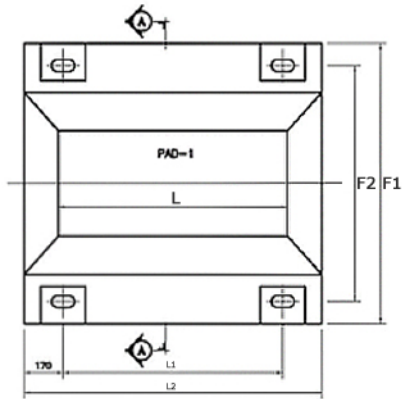
These fenders can incorporate UHMW-PE pad in the top part. It can be connected with face pad directly (bolts) or connected through a panel, covered with UHMW-PE panel, so as to reduce the friction coefficient between ships and fender and prolong the fender service life.



FEATURES

- High energy absorption and low reaction force: DGH fenders are a new generation of V fenders with 3-3.5% increased energy absorption. Application of the DGH super arch fender can reduce the product height and the project cost.
- Reasonable structure and long service time: The special structure design of the DGH fender greatly improved the strain concentration under compression deflection which prolongs its service time.
- The front panel is located on the top to protect the fender and reduce the surface pressure: with the front panel located on the top, the surface pressure is greatly reduced, and also the use of the panel reduces the friction coefficient with ships, therefore increasing the adaptability for shearing force at slip berthing.
- Easy for replacement: Because the DGH has the same bolt pitch as the V type, it can be easily used to replace the V type fender so as to obtain higher performance.

DGH Fenders



- DGH-A: Last generation of V type fenders, improving previous characteristics.
- DGH-B: DGH fender which incorporates a coating of UHMW-PE.
- DGH-C: DGH fender that adheres directly UHMW-PE to the fender rubber.

Specifications	H	L	A	F1	F2	T	B	W
DGH 150	150	1,000	98	300	240	22.5	96	37
DGH 200	200	1,000	130	400	320	25	128	62
DGH 250	250	1,000	164	500	410	27.5	160	85
DGH 300	300	1,000	225	600	490	33	195	125
DGH 400	400	1,000	300	800	670	40	260	205
DGH 500	500	1,000	375	1,000	840	45	325	325
DGH 600	600	1,000	450	1,200	1,010	54	390	480
DGH 800	800	1,000	600	1,600	1,340	72	520	875
DGH 1000	1,000	1,000	750	2,000	1,680	90	650	1,400

Note: Units in mm

Type	Deflection - 45%							
	Performance							
	Low (RL)		Standard (RO)		High (RH)		Super High 1 (RS)	
	F	E	F	E	F	E	F	E
DGH 150	156	3	84	4	112	6	129	7

Reaction Force: F(KN) | Energy Absorption: E(KN-M)

Type	Deflection—52,5%							
	Performance							
	Low (RL)		Standard (RO)		High (RH)		Super High 1 (RS)	
	F	E	F	E	F	E	F	E
DGH 200	76	6	113	10	151	12	174	10
DGH 250	148	16	172	18	208	22	270	28
DGH 300	177	22	206	26	249	31	324	41
DGH 400	236	40	275	46	332	56	432	73
DGH 500	295	62	344	72	415	87	540	110
DGH 600	354	89	412	104	498	126	647	163
DGH 800	472	159	550	185	664	223	864	290
DGH 1000	590	248	688	289	830	349	1080	454

Reaction Force: F(KN) | Energy Absorption: E(KN-M)