

## Nautical Buoys

These buoys are manufactured from rotomoulded polyethylene with UV filters, with reinforcements of the mooring eye.

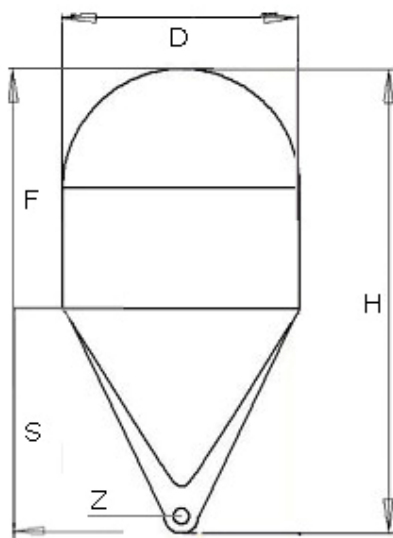
Especially designed for beach buoyage or channels where a temporary marking is required.

They can be supplied filled with polyurethane foam.

Designed according to IALA Recommendations.

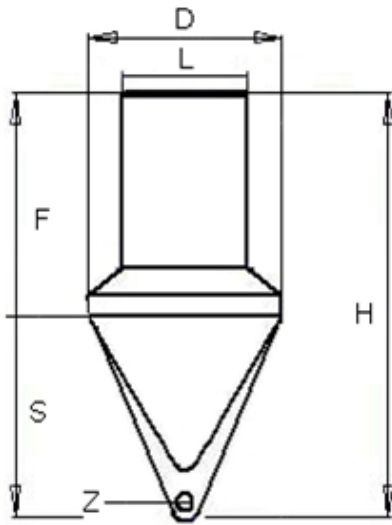


## FEATURES

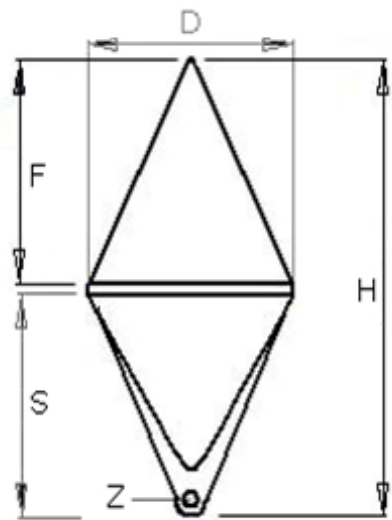


ESF Buoys	H (mm)	F (mm)	S (mm)	DØ (mm)	ZØ (mm)	Flotability (L)
NBM 04 ESF	660	315	345	400	38	45
NBM 08 ESF	1,610	745	865	800	48	410

## Nautical Buoys



Cylindrical Buoys	H (mm)	F (mm)	S (mm)	D $\varnothing$ (mm)	L $\varnothing$ (mm)	Z $\varnothing$ (mm)	Flotability (L)
NBM 04 CIL	740	377	363	400	250	38	35
NBM 08 CIL	1,610	960	650	800	500	48	290



Conical Buoys	H (mm)	F (mm)	S (mm)	D $\varnothing$ (mm)	Z $\varnothing$ (mm)	Flotability (L)
NBM 04 CON	640	277	363	400	38	25
NBM 08 CON	1,600	800	800	800	48	200