

Quick Release Hooks

For a mooring system of a port where the security is a priority, we provide a quick release hooks, available in a range of capacities from 550 KN to 1500 KN per nail, with a manual or electrical system integrated with CAPSTAN.

Specially designed for the most sensitive areas with no need, in case of danger, of any intervention to become untied.



FEATURES

- Made up of stainless steel, resistant to adverse conditions in a marine environment.
- Possibility of manual or automatic quick release (with CAPSTAN).
- Easy handling, which enables operation with one hand.
- Quick release hooks from 1 to 4 nails.
- Capacities from 550 KN to 1500 KN each hook. (10 KN = 1 Ton).
- Variation of weight: from 750Kg for an automatic hook with 1 nail, to 3,800Kg for an automatic hook with 4 nails.

Quick release hooks

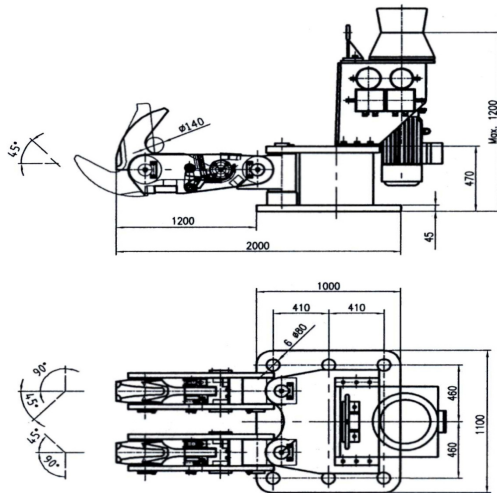


Image:

- Automatic quick release hook of 2 nails (with CAPSTAN).
- Capacity: 750 KN.
- Weight: 2000 Kg.

Model	Weight (Kg)	Number of hooks	Capacities (KN)	Fixings (threads)	Automatic
DQRC-1-550	750	1	550	6 x M56	✓
DQRC-1-750	1,100	1	750	6 x M56	✓
DQRC-1-1000	1,450	1	1,000	6 x M64	✓
DQRC-1-1250	1,500	1	1,250	6 x M64	✓
DQRC-1-1500	1,900	1	1,500	6 x M72	✓
DQRC-2-550	1,400	2	550	6 x M56	✓
DQRC-2-750	1,600	2	750	6 x M64	✓
DQRC-2-1000	2,100	2	1,000	6 x M72	✓
DQRC-2-1250	2,200	2	1,250	6 x M72	✓
DQRC-2-1500	2,700	2	1,500	6 x M72	✓
DQRC-3-750	2,000	3	750	10 x M64	✓
DQRC-3-1000	2,700	3	1,000	10 x M72	✓
DQRC-3-1250	2,700	3	1,250	10 x M72	✓
DQRC-3-1500	3,000	3	1,500	10 x M72	✓
DQRC-4-1250	3,300	4	1,250	12 x M72	✓
DQRC-4-1500	3,800	4	1,500	12 x M72	✓
DQRH-1-550	750	1	550	6 x M56	✗
DQRH-1-750	1,100	1	750	6 x M56	✗
DQRH-1-1000	1,250	1	1,000	6 x M64	✗
DQRH-1-1250	1,300	1	1,250	6 x M64	✗
DQRH-1-1500	1,500	1	1,500	6 x M72	✗
DQRH-2-550	1,200	2	550	6 x M56	✗
DQRH-2-750	1,400	2	750	6 x M64	✗
DQRH-2-1000	1,900	2	1,000	6 x M72	✗
DQRH-2-1250	2,000	2	1,250	6 x M72	✗
DQRH-2-1500	2,500	2	1,500	6 x M72	✗
DQRH-3-750	1,800	3	750	10 x M64	✗
DQRH-3-1000	2,500	3	1,000	10 x M72	✗
DQRH-3-1250	2,500	3	1,250	10 x M72	✗
DQRH-3-1500	2,800	3	1,500	10 x M72	✗
DQRH-4-750	2,000	4	750	12 x M64	✗
DQRH-4-1000	3,000	4	1,000	12 x M72	✗
DQRH-4-1250	3,000	4	1,250	12 x M72	✗
DQRH-4-1500	3,500	4	1,500	12 x M72	✗