

### Travel Lift

The Travel Lift are designed and manufactured to ensure the most safety and reliability relying on the most up-to-date technology.

All our machines feature an electronic steering system for a perfect wheel alignment under any circumstances.



## FEATURES

Just by pressing a push-button on the touch screen it is possible to pass from one mode to another:

- Four steering wheels
- Two steering wheels and two skid steering
- Crab steering.

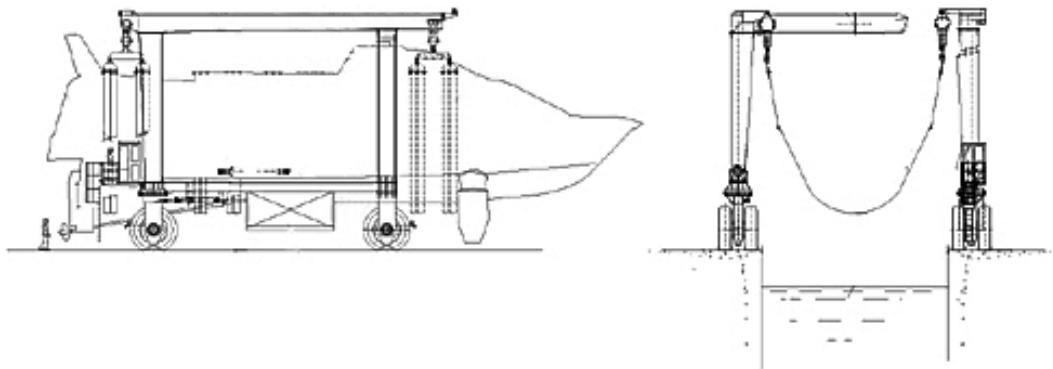
They are equipped with a weighting system complete with bolted load cells, mounted on blocks; this system has a double function:

- To limit the lifted load beyond the admitted capacity (three attention/ operation thresholds)
- To control craft total, aft and forward weight through on-board display.

## Travel Lift



Every Travel Lift has two straps, which are used as supports to lift the boat.



### Specifications

- Four directional wheels for a perfect wheel alignment.
- Weighting system.
- Travel Lift features as well a device that progressively speeds up or slows down the machine avoiding risky swinging of the craft carried.